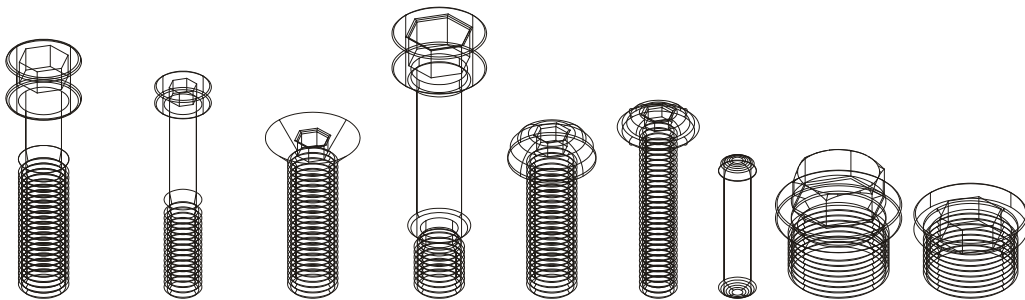


MOHINDRA FASTENERS LIMITED



POWERING THE PRODUCTION OF TOMORROW

FASTENING SOLUTIONS FOR AUTOMOTIVE, RAILWAYS AND INDUSTRIAL APPLICATIONS

OUR COMPANY

We started our commercial production in the beginning of 1997. Our infrastructure is spread across three plants with modern equipment for manufacturing high quality fastener assortments and other machined components. We manufacture Special parts as per drawing & Standard parts (as per various International standards). We offer a wide range of cold and hot forged fasteners along with precision machined components for Automotive, Industrial, Railways and other applications. Our products are sold to over 100 satisfied customers across the six continents of the world.



Cold Forging

Thread Rolling

Secondary Operations

Heat Treatment

Surface Finishing

OUR PRODUCT QUALITY

Our manufacturing operations conform to various accreditations. They also comply with Bureau of Indian Standards (BIS) requirements. The company works towards minimizing and neutralizing carbon emissions in the manufacturing process, thereby working towards a healthier environment.

OUR ENGINEERING & MANUFACTURING CAPABILITIES

We have an experienced Engineering and Product development team, facilitated with in-house tool designing and tool room to ensure smooth functioning of all the plant operations. Our technical library and expertise extends to a number of DIN-ISO-ASTM- ANSI/ASME- SAE-BS-JIS international standards. We also undertake product development as per customer defined standards/ specifications. Our manufacturing facilities have a combination of Cold forging & Hot forging machines with process monitoring solutions, CNC turning centres, Vertical Machining Centres, Centreless grinders, Cylindrical grinders & other secondary operation machines. Our cold forging range extends to M27 (1") in diameter and hot forging range up to M60 (2"). The Heat treatment & Surface finishing department is equipped with automatic PLC & SCADA facility and an online Hydrogen de-embrittlement (H2D) to offer quality products.



FEW OF OUR SPECIAL PARTS





MOHINDRA FASTENERS LIMITED

A Reliable Partner For High Tensile Fasteners

Corporate Office:

304, Gupta Arcade, Inder Enclave,
Rohtak Road, New Delhi-110087, INDIA
T : +91 11 46200400, 46200401
E : fasteners@mohindra.asia

Unit-1:

60th K.M. Stone NH-10, Delhi-Rohtak Road,
Kharawar, Rohtak-124001, Haryana, INDIA
T : +91 1262 350700, 350740
E : info@mohindra.asia

Unit-2:

60th K.M. Stone NH-10, Delhi-Rohtak Road,
V & P.O. Gandhra, Rohtak-124001,
Haryana, INDIA

Unit-3:

Plot No. 42, 43, 44, Sector-31B,
IMT Rohtak-124001,
Haryana, INDIA



Website



LinkedIn

Visit us at: www.mohindra.asia

